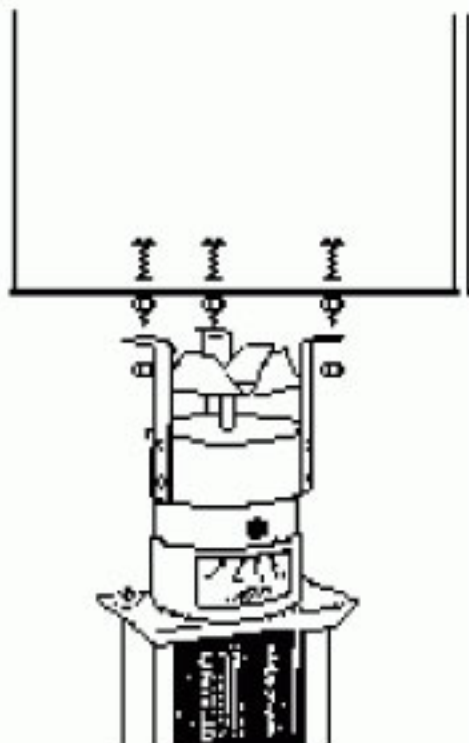


# FieldPro Feeders

## INSTALLATION INSTRUCTIONS



1. Find the center of the barrel and drill a small hole (approximately 1/8"). Align the center hole of the template that is provided with the small center hole in the barrel.
2. Mark the three outside holes on the template and drill these with a 3/16" bit.
3. Go back and enlarge the center hole to 2".
4. Push the #10 x 3x4" machine screws with lock washer through the three outside holes from the inside of the barrel. Use another lock washer and #10 nut to hold these screws in place. (See diagram right)
5. Take the plastic pipe fitting and place it through the 2" hole. Tighten the nut over the fitting. The threads should point to the outside of the barrel.
6. Mount the timer on the bottom of the barrel using the #10 nuts and lock washers included with the hardware. This is normally done when the feeder is in the field